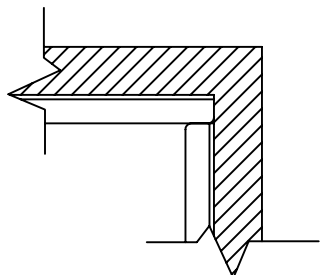
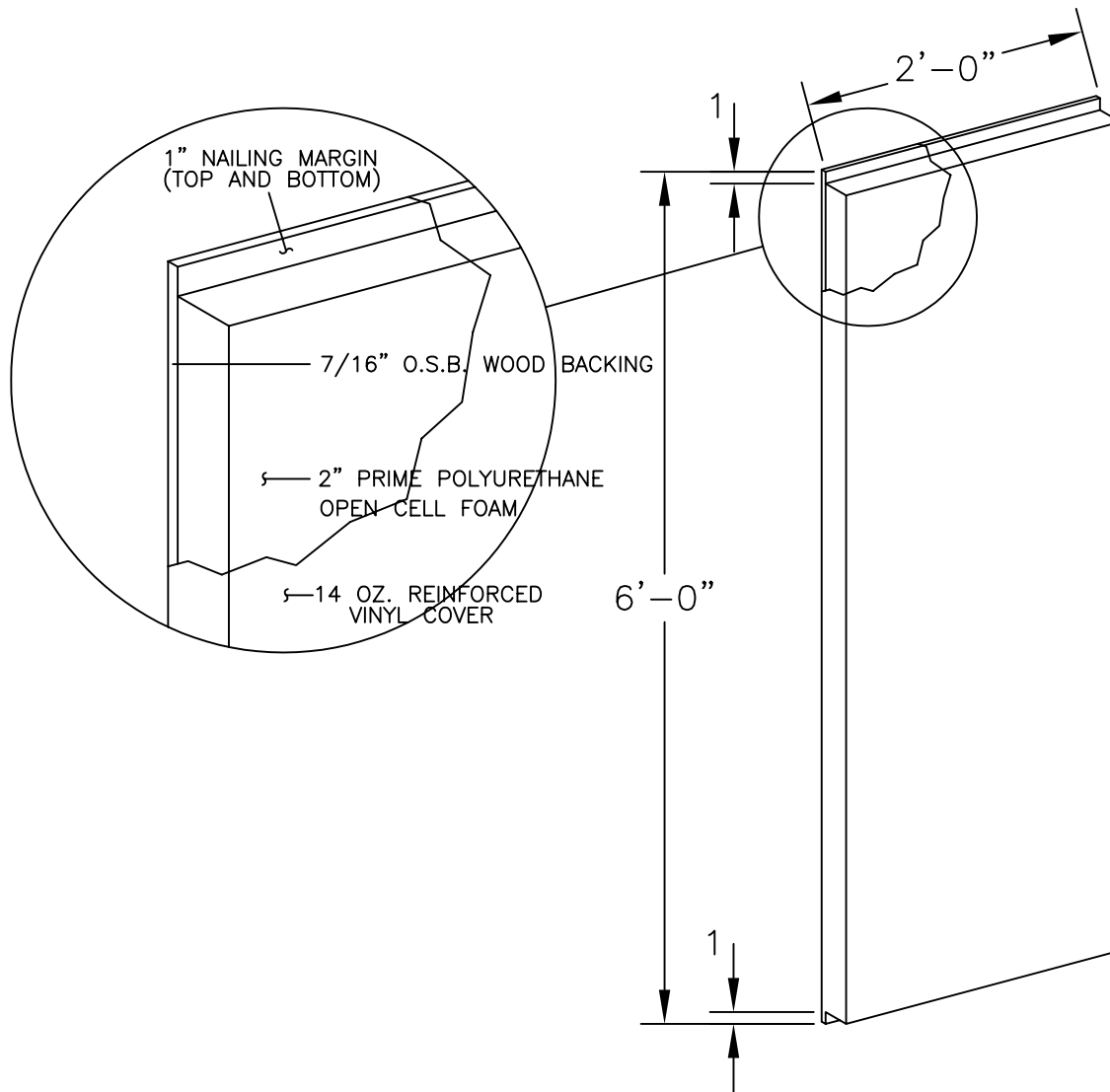


INSTALLATION DETAILS



FOR INSIDE CORNER
LAP PANELS



* CONTACT FACTORY FOR
EXTRA VINYL IF FIELD
CUTOUTS ARE NEEDED.

* SPECIAL COLORS AVAILABLE
FOR NO ADDITIONAL CHARGE.

WALL PAD, 2" POLY, 2' X 6' W/LIPS

DO NOT SCALE

SCG #0481324



SPALDING SPECIFICATIONS

MODEL NUMBER: 481324

DESCRIPTION: Wall Pad, 2" Poly, 2' x 6' W/Lips

GENERAL DIMENSIONS: This standard wainscoting panel is 2' (610mm) wide x 6' (1829mm) high and is 2-7/16" (62mm) thick. It is designed for protective wall padding and can be permanently installed on the wall using adhesive and fasteners.

CONSTRUCTION: Spalding wall pads are constructed using 7/16" (11mm) O.S.B wood backing, 2" (51mm) polyurethane foam and 18 oz. vinyl cover. There shall be a 1" (25mm) nailing margin top and bottom for attaching the panel to the wall using fasteners.

Backing: The backside of the panel shall be a 7/16" (11mm) thick O.S.B. (oriented strand board) panel that is 2' x 6' (610mm x 1829mm).

Foam filler: The foam shall be 100 ILD polyurethane with a density of 1.80 lb/ft³ (29kg/m³). The dimensions of the foam shall be 2" x 24" x 70" (51mm x 610mm x 1778mm).

Vinyl cover: The cover material of the panel shall be a vinyl laminated polyester fabric that has a finish weight of 18 oz. per square yard. The fabric contains antifungal and antibacterial agents and is easily cleaned using mild soap and water. The cover fabric meets the National Fire Protection Standard 701. The color of the cover shall be royal blue.

SHIPPING INFORMATION:

1 package - 23 lb. (10kg), 2.5" x 24" x 73" (64mm x 610mm x 1854mm), 2.53 CF

Authorized Dealer:

www.alliedproductsllc.com

1-800-864-1272